



## Research on the modeling theory in natural science

Wang Yiping \*, Sun Chunwu\*\*

\*, \*\* AI, Industry engineering / manufacturing

Field of interest in natural science

Specialty to invent new products and write such as Tai Chi words of the world popular science book

Professional title of visiting professor

Email: [yzscw0514@163.com](mailto:yzscw0514@163.com) WeChat account scw20171020 Postal code 225008

Abstract: There are many problems in natural science troubling scientists, but Einstein customized his thinking in the search for the field of unified gravity, electromagnetic force, strong force and weak force. Therefore, he could not first create the theory of a unified field, and then analyze and discuss who is of the largest quality, and unify these forces and transform them into new matter.

[Wang Yiping, Sun Chunwu. **Research on the modeling theory in natural science**. *Rep Opinion* 2024;16(6):6-15]. ISSN 1553-9873 (print); ISSN 2375-7205 (online). <http://www.sciencepub.net/report>.  
02. doi:[10.7537/marsroj160624.02](https://doi.org/10.7537/marsroj160624.02).

Key words: diffuse air, centrifugal force centrifugal force ellipse diagram mass energy; force; tool atomic evolution planet; galaxy; density wave, eccentric vortex engine;



In the natural sciences, establishing and solving physical problems often involves observation, experiment, modeling, mathematical reasoning, and prediction. Below is a concrete example of how natural science can be used to solve physical problems. Suppose we have to solve the problem about the free-fall motion of objects. This problem is a classical physical problem that can be solved by natural science methods.

Step 1: Observation and experiment  
First, we observe free-falling-moving objects, such as an

apple falling from a tree. We record the trajectory of the object, noting that it is an accelerated linear motion. We then experimentally measured the time and distance of the object falling and recorded it.

Step 2: Modeling

Next, we build a mathematical model to describe this physical process. In this example, we can use Newton's second law ( $F=ma$ ) and the law of gravity ( $F=G(m_1m_2)/r^2$ ) to build models.

For the free-fall motion, the gravity of the object is the only force, which can be expressed as:

$$F = mg$$

Where  $m$  is the mass of the object and  $g$  is the gravitational acceleration.

According to Newton's second law, we can write about the acceleration of an object:

$$a = F/m = g$$

Thus, object acceleration in free fall motion is constant, equal to the gravitational acceleration  $g$ .

Step 3: Mathematical reasoning

With the model, we can use mathematical methods to describe the motion of objects. In free-fall motion, the relationship between the displacement  $s$  and time  $t$  can be expressed by the following formula:

$$s = 1/2 * g * t^2$$

This formula is obtained by integrating the acceleration  $a$ .

Step 4: Forecast

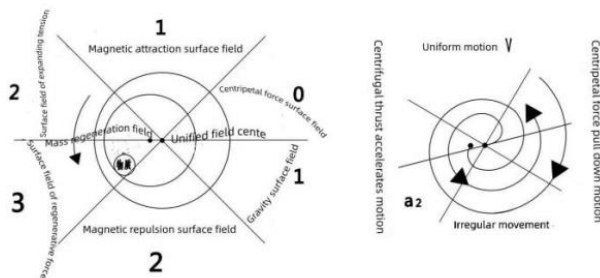
Finally, we can use this formula to predict the displacement of the object in a given time. For example, if we know the value of the gravitational acceleration  $g$

and the time  $t$  when the object falls, we can use this formula to calculate the distance  $s$  where the object falls. This is an example of using natural science to establish and solve physical problems. Through observation, experimentation, modeling, mathematical reasoning, and prediction, we can gain a deep understanding of physical phenomena and apply this knowledge to solve practical problems.

Therefore, through the discovery of the eccentric vortex engine, I created the modeling design of the problem solving elliptical diagram. Not equal to a mathematical formula

$$kg \neq m \cdot a^2 \cdot t \quad \text{The right} + Z \neq \begin{cases} \text{max} \\ Kg \neq m \cdot a^2 \cdot t \\ \text{Min} \end{cases}$$

Ellipse movement trend chart (See the figure below)



g

Multimath by the size of the time, force, acceleration, time, location, and what tools are used to replicate more energy. And flexible use of the laws of physics equations, Wang Yiping old teach aid circle logarithm calculation, facilitate people like using the abacus calculus, with simple image and mathematical logic, reasoning deduce all harmonious law, easy to please experts to complete unified field theory problem solving, the benefit of human life, work. [Key words]: Unified field theory, elliptical diagram diagram, formula, application of unified field theory, eccentric vortex engine.

Unified field theory is the things form and movement or law development process and form, condensed to the elliptic graphics and simple formula, including positive and negative, and in the middle of the unity and transformation, teach you flexible use of various data including the computer to set, solution, various problems, and summarize the past and events in the future. What is a unified field? Mathematicians use the Yang Zhenning-Mills gauge field as a mathematical model to make it abstract. The author proposes that the mass-energy and space in different force fields are unified in the same place, describing abstractly who is

large and who is the dominant unified field in this field. Therefore, mass and space exchange energy or force fields, such as planets, atoms, plant seeds, animal cells, a country and a person, with the physical name [unified field]. We can understand the accelerated movement in this field to copy more inertial force, unified by the push and squeeze friction motion produced such as gravity, electromagnetic force, strong force, weak force and the occurrence of natural law or periodic law, it is not surprising.

What is the diagram unified field? Objects that usually possess and consume more energy, such as the rotating poles of the earth and the sun, the center of the atoms, the central government of a country or the decision of a person. Positioning it has a unified field function. In this way, accurate mathematical explanations of the surrounding positions such as the mass of the planet, the speed of the movement, and the distance to the center of the galaxy are available.

Therefore, the time for an event's movement and development begins then, and it ends then with the disappearance of spin and revolution. Its unified field function is used to locate the surrounding objects and act uniformly in the limit of motion. And provide or genetic intellectual energy or force to the surrounding objects. But the space object didn't end from there.

What is a diagram of the unified field theory? For example, when the planet moves fast on one side in the center of the galaxy, but slow on the other side, it is necessary to discuss the formation of all things and the micro problems in the development. Therefore, the events occur in the unified field, and the method used in the demonstration process is called unified field theory. It is composed of the unified field theory, the elliptical diagram and the formula for problem solving

The size of the large circle indicates the quality of its calculus. Such as the centripetal force centrifugal force and other conditions.

The hole field of the small circle in the center is the turning point and mutation point of the positive and negative field, indicating that it is the regenerative field with a combination of mass and space. Just like the tools, weapons and other pieces used by people, they are new things that are vividly used to replicate energy or force or regenerate. (It can only be copied more original quality of the document is not less, can not change the original quantity). Because it's not a transformation system.

It has a unified quality and space-time standard. The greater the vitality of the field, the greater the structure of the playground by the system, or the more energy or force it reproduces by the tools and weapons of large mass and space and time.

On the contrary, when the small spot or the object is moved to the centripetal surface field of the gravitational surface field and to the center, the less the

force is copied.

In the figure, there are four motion speeds: uniform speed, acceleration, irregular speed and reduced speed. It can also represent the transformation of gravity, electromagnetic force, strong force, weak force. Or transformed into the spring, summer, autumn and winter climate changes.

The mass and space and time in the hole in the figure can also be regarded as the mass and space-time of the centrifugal force, the mass and space. Therefore, its movement is not only affected by the surrounding environment, tools, weapons, etc., but also restricted by its own quality. And it can't work on its own replication independently.

The six (relative number-relativity comparison principle) in the figure have different mass and space-time force surface fields, indicating that the quantity on the field or the time of the spin system is a one-dimensional complex orderly round movement. And in space is for disorderly movement, that is, it will develop to both positive and negative aspects. Set, solution, on a field quality, must be combined with the quality regeneration field and unified field is a quality, medium and another figure centripetal force and centrifugal force of pushing friction force size, or such as good or bad, positive and negative, different problems such as atoms or proton, like the so-called Yin hexagram and Yang hexagram techniques together, to calculate the correct results. The elliptic map is even 162 hexagrams changed to solve the problem. Because the unified field theory is to improve the gossip of Zhouyi.

The uppermost circle of the graph represents the beginning of a mass and spacetime motion time, or an object moving in such conditions, it has no force change, it is called a magnetic attraction surface field. It copies the force in numbers for 1, moving at a constant speed.

On the upper side of the graph, mass and space are turbulent, accelerating from up and down, making thrust 2. Call it an expanding force surface field.

In its lower part, accelerated inertia reproduces the mass to more forces, such as making the earth elliptical. Call it strong force field, or regeneration force field, it copies the thrust 3.

In short, this side is the centrifugal force acceleration movement.

At the bottom of the figure is the magnetic repulsion surface field, which indicates that when a mass and space-time move to this field or time, the centripetal force prevails when the system spin is slowest, the centrifugal force prevails when the spin is fastest, and the irregular replication output has been reduced to 2. (In actual operation, it should be positioned with the speed, it is increasing force above 2. For example, the earth is the most obvious in this year, the underground plate displacement movement changes greatly, the geological magnetic field is irregular, and the groundwater is

copied the most. Earthquake opportunities, strong magnitude, destructive force, including easy to make a variety of operators in the same situation, the same speed of operation out of control, such as car accidents and aircraft crash flying in this area.

Therefore, the gas of the vortex uses the inertial force to cross the magnetic repulsion field and impact upward on the gravitational field.

Since the doer has no energy or force supplement, the energy is copied is 1. Call it its gravity surface field.

In this upper part of the field, the mass completely loses the ability to do work, is consumed by friction and gravitational force, and the gas contracts in the center of the inertial motion, copying the force 0. On this side of the picture is the slow-down elliptical motion.

This elliptical motion physically calls a centripetal motion and, therefore, a centripetal force is obtained.

Like the ping-pong ball falls from the height of one meter to the hard ground, after each rebound loss, the height or exceeds the radius of the center of the circle. So, the airflow rotates over the center with a reduced circulation, winding like the large outer ring formed by cosmic radiation.

Later, the hot gas on the top surface of the large outer circle does not move along the consumable circle, but naturally divides into two sides from the top surface of the elliptical circle, moving around the trajectory of the figure 8 taper vortex. In addition to its own quantity, it also uses the favorable conditions of taper to accelerate the inertia force and centrifugal force to the center. Because of the inertia force, centrifugal force is the force of the system, do not provide their own force.

Therefore, the air flow again and again to both ends of the screw to the small surrounding movement, constitute a complete ball shell

After aggregation, there are holes between objects on the spherical shell and holes inside the shell. With the hole, it plays three roles, one, each small hole on the ball shell, will make the internal and external temperature and pressure are not uniform.2. The external hot air flows around the low pressure in the center of the hole, like a snowball, rolled into a cyclone mass. In the small circle hole inside the cyclone group. Two kinds of field centers, a field center called uniform by centripetal force vortex, are actually generated.(Like the central government) on the spot on the movement of energy problems, unify the forces, and inherit the role of wisdom energy.

A volume pushed by the system centrifugal force is the center of the parabolic vortex motion, called the center of the mass regeneration field. To replicate even more energy or force.

I founded a Unified Field Theory in 2009 (Establishment of the Unified Field Theory). There are two centers in English papers published at the Marsland Press Academic Arena. Today, more than a decade later,

scientific instruments eventually orbit the center of black holes. One is a small centripetal force, the other is a larger centrifugal force. Prove that my elliptic graph is correct. Because Newton is not moving at two points or 0, it also has gravity. Rich is a bit of a circular motion, with gravity. My centripetal and centrifugal belong to two or multi-point mutual motion, can be copied more energy, to make things evolve or develop. And English convergence and diffusion in Chinese words to express, easy to mislead the image of the balloon at the same time contraction and expansion to solve the problem, can not be justified. Because the object in the sphere and centrifugation from the top down is a point forward accelerated movement, the real gravity comes from the suction or pull made by the vortex.

Therefore, the structure of the shell, the small inner circle hole and the hole is formed, and then to solve the problem.

If a second motion calculation or argument is performed, Quality that shall enter the center, After the centrifugal force of the system pushes out the mass force and the replication force of the distance from the center, Press this new number to multiply the inertial energy in turn, Gradually accelerate the speed no longer along the less consumption such as elliptical movement, During developing movement towards more consumable circles, For example, after 1,2,3,2,1,0 digital energies in the six force surface fields on the elliptical map, 2 plus 025, Gravity surface field 1 plus 05, centripetal force surface field zero plus 075. Magnetic attraction surface field 1 plus 05, expansion force surface field 2 plus 025. No regeneration force surface field, As the sun's upward movement is replicated more force, Increase more spots on the surface of the sun, The evolutionary expansion of the sun from an ellipsoid to a large one expands. Or using the mathematical formula of Professor Wang Yiping, quoted from the ted ted Specification Field and Relativity Construction (Proceedings of the 8th International Conference on Computational Methods 2017):

$$\text{Have } W = (1 - \eta^2)^Z W_0 \quad (1)$$

Where:

$$(1 - \eta^2)^Z = (1 - \eta^2)^{+Z} + (1 - \eta^2)^{-Z} + (1 - \eta^2)^{0Z} = \{1/2, 1\} \{0 \sim 1\} \quad ; \quad (2)$$

$$(1 - \eta^2)^Z = (1 - \eta^2)^{+Z} \cdot (1 - \eta^2)^{-Z} \cdot (1 - \eta^2)^{0Z} = \{1/2, 1\} \{0 \sim 1\} \quad ; \quad (3)$$

$$(1 - \eta^2)^{0Z} = (1 - \eta^2)^{+Z} + (1 - \eta^2)^{-Z} = (1 - \eta^2)^{+Z} \cdot (1 - \eta^2)^{-Z} \quad (4)$$

The formula (1) joint equation can be obtained:

$$(1 - \eta^2)^Z = \{(0, 1/2, 1)^{(0, 1/2, 1)}\}^Z \quad ; \quad (5)$$

According to the principle of unconservation  $(1 - \eta^2)^{+Z} \neq (1 - \eta^2)^{-Z}$ , But formula (1) why is equal? This is the unsymmetry of energy. Under the condition of constant mass, after the space change of mutation points, the energy produces asymmetry.

Where: W last, prediction condition;  $W_0$ Initial conditions;  $(1 - \eta^2)^Z$ Change pattern of data and events;  $(1 - \eta^2)^{+Z}$ Data event convergence change;  $(1 - \eta^2)^{0Z}$ Data event mutation point or center point or limit point;  $(1 - \eta^2)^{-Z}$ Change of data events;<sup>3</sup>

[The expansion table is not accurate, is a parabolic expansion movement, there is no like filled balloon balanced expansion]

The formulas and diagrams inspire you to solve the problem."=" Inform the problem solving person, the mass in the system movement speed, copy the energy or force of the limit problem. With this limit, you can know the time of birth, aging, death and the speed of the cycle. Whether, now and future, whether galaxies or atoms, animals or plants, macro or micro."=" It is given that they all have two kinds of contradictions, such as fast and slow. The speed of the transformation of the contradiction is the speed, and the contradiction is time.

Therefore, in a structure, force, acceleration and time, and what force or tools to solve the physical problems; "=" also shows the movement on both sides of the rotating pole, different convergence or diffusion force, such as photon, positive and negative ion merger and division, biological growth and extinction, black hole and regeneration of the universe. According to these new figures, it is necessary to understand the process of its own conditions, and the resultant dereplication force. It is necessary to use different forms to discuss, or to use different formulas to calculate. Or each matter each to solve the problem.

So, with the natural science theory and elliptical graph and formula so many star data, researchers mind, will form the material basis of the original object is by the movement of the force, is interaction between celestial bodies and celestial bodies, celestial family including everything are relatively unified elliptical convergence and diffusion of hyperbolic circle (unified ellipse). Its principle mechanism and transformation is: quantity and space-time through mutation (physically called massless Higgs son) copy energy, celestial bodies from simple to complex, from low to high level step by step evolution. What is the universe or the object of the largest mass or the right method, who is a unified field in this living unified field does not exist. They are: uniform and ununiform velocity, rule and irregularity, symmetry and asymmetry, continuous and discontinuous elliptical motion order, deconstruction universe astrophysics should first improve the physical theory to solve the problem. Solved all the breakthrough problems of physics theory, know gravity, electromagnetic force, strong force, weak force is unified, is happening in a living field is copied how much inertial force changes, there is no external field to unify or develop it.

This disout their nature, or exists in what motion structure. If you move in a straight line, you should still

accelerate it on the inclined plane. Or any elliptical motion; they have a comprehensive, systematic, connected, and developmental view to demonstrate the unified field of a galaxy. It can also be simple and quick to demonstrate why it moves fast or slow in a certain field. At the same time, natural science theory also summarizes and scientifically uses Newton, Einstein and other mass conversion energy view, quantum theory and super string theory to solve problems.

Natural science theory is a universal theory. Once recognized and applied by people, it will build more magnificent frame structures such as reinforced concrete continuous connection, and new philosophy and physics to set up problems and solve problems. And can invent perpetual motion, a moral new era to benefit mankind.

How do atoms evolve their salty structure and evolution?

As the diffuse gas diffuses in the air, turbulence occurs as shown in the elliptical diagram, and the gas on the magnetic attractive surface field moves from the top down to the expansion force surface field and the regeneration force surface field. Because there is an accelerated centrifugal thrust on the surface of these two field forces, the object constantly reproduces the mass of more regenerative energy or inertia force in the accelerated inertia, and the gas moves faster over the magnetic repulsive field and shocks upward to the gravitational field.

On the contrary, by the opposite force, so that when the gas moves to the place such as gravity surface, the work gradually increases the contraction and bending for elliptical motion. This elliptical motion physically calls the centripetal motion, thus obtaining the centripetal force.

Like table tennis from the height of one meter down, each rebound about a loss of 20 or 30 centimeters, but this height is still more than a meter high of the center of the circle radius of 50 centimeters. As a result, the air vortex continues to accelerate into a black hole.

The gas that accelerates into the black hole is driven by a system inertial force, like being snowballed, converging into a cyclonic group deposited in an eccentric hole field in the black hole.[The structure of shell, small inner circle hole and nucleus]. It is also the beginning of forming an atomic shell.

Of course, the air flow evolves into the course of six forces. The outer airflow accelerates faster from up and down, and is first surrounded into a large globular mass. As the white dwarfs later evolved. On the scene, the inner airflow on the other side moves slowly from bottom to top, and the airflow encircles into a spherical group with less energy. As later evolved into a dark planet. These six kinds of forces occur. It is like growing branches around a tree pole and evolving a leaf. On the nuclear fusion like explosive force, each spherical group around the different amount of liquid stars such as gas

planet solid, and step by step the quantitative evolution, the universe from irregular galaxies to elliptical galaxy rod spiral galaxies, so that the universe continues to make infinite development.

For the Earth, which is 250 kilometers per second on the outside and 190 kilometers per second on the inside, stand in the coordinate system of the Milky Way and observe the Earth. Lead to the inside of the appearance of the sun's gravity is large, for the perihelion. Combined with this analysis, the perihelion of the other planets is also in the line between the Galactic center and the sun, but the speed difference of the outer planets is smaller and closer to the circle.

So, the heat in the universe to the inner hole center at low temperature, accelerating vortex around a small cyclone group, is each system centrifugal spin out, inevitably from the atomic shell every small hole into the centripetal hot air flow, pushing friction fever, make the cold and hot boundary limit into water molecules. After changing the mass of the gas entering the center of the hole, the system vortex force rolls more like the rain core or spherical structures. On the one hand, water molecules outside the raincore flow toward the center of the hole. Reproduced into water by the raincore rotation.

Because the hot air flow outside the spherical shell continues to enter the hole, the system is pushed, friction and heated to high temperature, and the water is converted into new gas. With the new gas strengthens the force of the system, promote the shell of the small inner circle more quickly, continuous push friction heat out more high temperature and high pressure, the new gas is converted into chemical bonds and small molecules in a solid state. It was rotated into small balls and evolved into shells that looked like solid atoms.

At this time, the diffuse gas evolves from the space field to the physical field of the atoms, enhancing the transformation and replication capacity by one step further, not necessarily in the form of a vortex.

The diameter of the atomic spherical shell is 10 nm, and the radius of the atomic center should be five nm. External diffuse gas or small molecules are centripetal force, from the small hole on the shell to the low temperature center, accelerated around the estimated volume is not more than one thousandth of a nano, one percent to calculate the perimeter, from the small hole to the center distance, at least one length can be divided into ten segments, each heat flow around into a smaller subatoms.

Because the system of atomic spin makes a centrifugal force, pushing the central object outward or repulsive force, the external hot air on the other side of the atoms can not enter the atomic hole. So this side is impossible to produce small subatoms.

On the other side of the atoms, the other side of the shell. Therefore, each hot airflow from the small molecules and small holes between atoms turns around

the center of the atomic low temperature by centripetal vortex, reproducing a total of about several hundred subatomic spheres. Just like the human body airflow into the heart, only once like a snowball, was vortex copied hundreds of white blood balls.

These subatomic spheres are evolved by atomic systems into groups of nuclei. It forms the trinity structure of the shell of the atoms, the small inner circle hole, and the nucleus in the hole.

The external thermal air flow flows more continuously to the low temperature in the center of the atomic hole, and the large quantity that occurs is the unified field. First transition layer in the subatomic spin vortex suction, like water tower first month, the hot air flow into the subatomic hole, the hot air for centripetal vortex around, with the system to centrifugal force airflow, pushing friction heating more high temperature and high pressure, the new gas is converted into solid small molecules. And vortex copied into more subatoms, or particles stored in the subatomic shell, to enhance the subatoms from the atoms down to the nucleus. At this time, the nucleus of the system is rotated into a small cluster, which became a springboard for subatomic hard landing, like a marginal ball in a tangent movement, hitting the inner wall of the opposite atoms. Due to the large atomic weight, only the vibration, the subatomic bomb back. But it's not bounced back to the original height. It fell on the nucleus.

Because the subatomic shell is also composed of a number of small molecular circles arranged together. The downward force causes several small molecules in the subatomic hole to increase the force to the front end of the spherical shell. This increases the density of the front end, and increases the force on the inner wall of the atoms. This force can be calculated to be at least three times the amount of the subatoms, and there are dozens or even hundreds of subatoms on the inner side, exerting a continuous thrust on the atomic spin.

Small molecules in the subatomic hole of the impact are too late to turn around and rush forward. So the reaction consumes the force and is less than once, until the parabola falls on the middle of the inner wall. The subatoms accelerate downward and lower on the loneliness of the inner wall. Again by the system free centrifugal force and eccentric effect, the subatomic hole one small molecules, continuity to the front of the shell, is also like eccentric or lever arm, the quantity of eccentric side and in the acceleration, the subatomic the shield copy more energy and force, therefore, its movement is faster than passing the tangent movement, and can return to high to low to make a work.

Because the tangent line is a linear motion, only a single force is obtained.

Of course, there are some small subatoms that bounce back and fall into the nucleus. But the atoms and the nucleus received at least three times. For example,

the atoms and the nucleus bounce once, there are three kinds of energy results. 1. When the atomic bomb returns on the nucleus, a number of subatoms or a small molecule in the nucleus, pushed each other friction and heat. 2. When bounced back, the small molecules and small molecules in the subatomic hole, between the subatoms and the subatoms, have a collision, friction, heat and electricity. Subatoms are converted into zowei electronic balls. 3. A hot gas that is pushed and rubbed, or subatoms that accelerate at low temperature and low pressure. There are really no real electrons. But to adapt to physics]

When the electrons move from high temperature to low temperature or from top down, accelerating to the center of the other side of the atom, the small molecules in the electron holes are also pushed forward by the centrifugal force, small molecules and small molecules push each other friction fever, the electrons into a son with more energy evolution. [Reality means that the inner side of the atom is making a centripetal force to make the small molecules accelerate to the low temperature, and the small molecule in the center are pushed out by the centrifugal force of the system, pushing friction and heat each other, so that the other side evolve protons with more energy.]

At this time, some iron elements in the child hole are pushed to generate friction magnetic. Or in different high temperature and high pressure to convert various chemical bonds. For example, some small molecules in the children are bonded into multiple small molecules by high temperature, or they are pushed out of the magnetic suction. It binds into an electron cluster composed of multiple small molecules. With massive electron clusters, they are more powerful when subjected to accelerated forces. For example, some small molecules entering the electron cluster will inevitably meet with the small molecules pushed with the centrifugal force made by the system, and the push and friction will heat and shine. Although like the gas whirlwind formed on the ground instantly disappeared. But the hot currents and small molecules outside the atoms accelerate around the low temperature center, so the center is constantly replicated in more electron clusters. Also one by one centrifugal force push friction into a moment of light and heat.

But their conversion process does not consume the atomic energy, but enables the electrons to obtain high temperature and high pressure to the low temperature and low pressure area accelerated first-class. And people really gave it the beautiful name charge current for work. Strengthening the spin ability of the atomic system, some small subatoms, ellipsoids and irregular body spheres in the nucleus are successively thrown by centrifugal force as a parabola.

So, in this way, the other side is pushed and rubbed by centrifugal forces, and it continuously moves

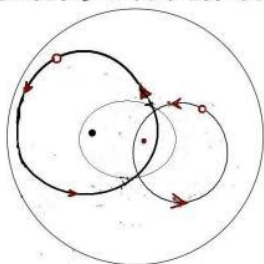
on the upper and lower pole magnetic fields, breaking the magnetic induction line at the rotation of the central object, from the mechanical energy to the so-called electric current to accelerate the movement.

This causes the natural law inside the atoms, for example, some gas and high temperature have not only filled the internal holes of the atoms, but also pushed to the edge of the atomic shell by high speed centrifugal force. The gas and high temperature escape from the small holes on the shell wall outside the shell, so that the atomic system cooling and pressure, and the genetic energy provided is also greatly reduced. At this time, friction, gravity, gravity and so on unified the four kinds of action, can not work, spin down.

Based on the weight of the dry atom, when it is accelerated to 1000 RPM in one minute, the small molecules around the center of the atom and the weight of the large shell have evolved into a greater inertial force, which cannot make the atoms stop and stop, which wins the time in the space of the force and motion structure. The upward movement of subatoms and other centripetal bending, do the cycle of uneven movement,

### 太阳黑子运动

向心旋涡产生吸力也是拉力  
系统离心力是推力



elements appear different periodicity.

Moreover, for example, several subatoms in the nucleus are pushed out to form a group collision. Forces in atoms convert electromagnetic forces from electrons and evolve to nuclear forces.

That is, by a subatomic and other particles, pushed by "centripetal force," centrifugal force " friction heat luminous high temperature and high pressure energy, laid a so-called magnetic field highway channel, converted into more charges. First, the clusters and the subatoms in the atomic holes will collapse and melt by the hydrogen combustion of the linked nuclear fusion reaction. Store in the cosmic space.

As a result, the universe evolved from nothing to atoms to larger amounts of dark planets and red giant stars.

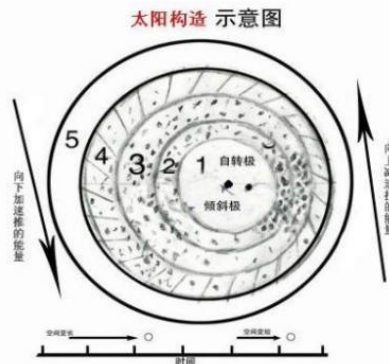
Ex

ample 2: Why are there any spiral arms of different motion speeds on both sides of the galaxy? This should

put the research problem fast and slow in the elliptic graph structure, and we can find the reason for the speed problem. For example, some of the planets with small mass, or some planets that have moved from the expansion force surface field or the reproduction force surface field to the gravity surface field, they are moving upward from below the inclined plane of galaxies. Since there is a centripetal force and consumption force on the surface, the rotation force of the star nucleus of the planet is reduced. Therefore, the planets in the upward motion of the galaxy are unified by gravity and friction gravity, which make the planet gradually shrink and bend in the inertial force to the center of the galaxy, forming a density wave. Turn light and dark into the Ice Age winter.

On the other side of the planet is moving down on the slope of the galaxy, with an accelerating inertial centrifugal thrust. In the system, the more force it is exerted on the rocks on the wall of the mantle regeneration surface field, and the force of the activity and movement of the small crust on the surface of the sphere. At the same time, there are some small particles in the core, which are spun like a snowball, and copied into large and small volcanic egg balls. Its iron mass is pushed and rubbed by centrifugal force and centripetal force, so that it also produces magnetic iron balls like the core. Constantly driven by centrifugal force, the contraction of the empty figure of 8 to the north and south pole of the spiral uneven movement. Make the north and south poles sphere constantly accumulated by the presence of magnets, produced the magnetic field of the north and south poles; that is, by the speed of the electron and distribution, laying a so-called magnetic field highway channel, produce the mass of the current.

While the joint of the inner structure of the crust and mantle highlights the space of the sagging space creates the magnetosphere space in the sky, the electron, pulling off the magnetic induction line made by the



此图是太阳的构造图，各点表示米粒和原子分布，切线表示米粒的平流运动。1、自转以 1500 万度向 2 中介绍向 3 对流面向 4 光球 6000 度外辐射对流，五色球也是以 1500 万度从外向内辐射对流从此改变黑子质量。

rotating motion of the core and the mantle plate. Therefore, the conversion from mechanical energy to current to increase the rotation capacity.

That is to say, the spiral arm of each side of the galaxy, the side of the galaxy from the bottom up, is the light turned into the dark in the center of the black hole. Not only darkens light, but it also keeps it escape. The ice age of the great winter.

On the other side of the galaxy from the top to the downward centrifugal thrust such as white dwarf ball, so that the speed of the conversion of the light is to the bright white evolution of summer heat. Secondly, on the one hand, the two sides of the galaxy have different masses and on the other side are dark stars, which are in the early stage of mass transformation and rotate slowly. On the other side of the white dwarf is mass transformation of late, they synthesis into replication, and then synthesis to copy the force is more, rotation is fast, on the other hand is due to the galaxy center around the mass force surface of various force various planet movement to the environment, is copied the different force, movement speed. In addition, the degree of the tilted pole of the planet also determines the replication force limit of the mass of the planet in the speed. At the same time, there are different insteady cycles on both sides of the center of the galaxy, as well as the elliptical motion orbit, and the size of the degree of the tilted pole is also different problems.

Problems in such systems, with existing physical theories and laws, cannot explain the speed of the planets on the spiral arms of galaxies.

Through the above content, it explains the principle that human beings can also imitate their work, and invent various structures of machines that do not consume external energy to benefit human life.

As I invented the eccentric vortex engine, the purpose of this eccentric vortex engine is like the machine is composed of prime mover, working mechanism and transmission. It is characterized by dividing the simple chamber into three parts: the center of the cavity hole; with a central axis, a subcentral shaft, the eccentric vortex engine, which includes two bearing seats and a hollow rotating shaft; the hollow rotating shaft includes a large hollow tubular shell. And a hollow tubular shaft arranged at the end of the housing; a circular disk is arranged along the circumference and connected to the housing through the circular disk and the internal communication of the housing; the turntable and the housing are located on the same axis as the housing, and the radius of the turntable is less than the radius of the housing; the two bearing seats are set opposite, and the two ends of the housing are rotated with the first bearing on the two bearing seats; the interior of the housing is provided with various components with eccentric rotation. For example, the bearing is set in the central hole of the work plate, and

then a shaft with double holes is set in the bearing hole. A central axis and a secondary central axis all pass through the double hole axis, and the two ends of the central axis and a secondary central shaft are inserted into the double holes on the square iron set on the workbench. The central axis, a subcentral axis, is set in the chamber of the simple, hollow tubular shaft cavity.

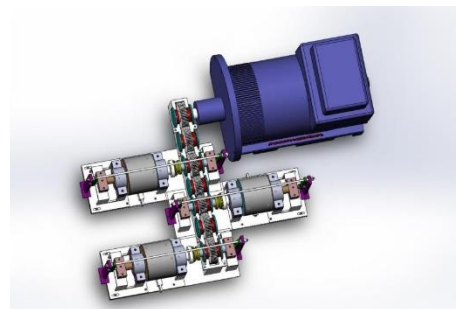
Therefore, if the work plate is set into an independent work system. The first work plate is set on the side of the center axis. The side surface of the work plate is heavily pressed down on the middle arc surface of the inner wall of the large shell of the hollow shaft machine. Just like the rotor of the motor around the work plate, and then set several groups of hanging iron, circled to form an eccentric hole field. In the eccentric hole field, the work sphere is combined to form the eccentric vortex system.

Such as the hanging iron on the side of the work plate, from the high wheel, the force on the side of the large shell. Not only in the central axis side of the heavy and internal deviation of the hole, and do the work plate on the other side of the hanging iron component, from the bottom up when the movement of gravity, so that the hanging iron and other components also randomly make centripetal contraction bending, because the hanging iron like a human arm has a section of the joint like activity, the consumption of the upward movement force is less. And the weight of the bending pushes the work ball to the side of the large shell, so that it transfers its own iron energy to the shell, so as to make use of the energy more effectively, and do not allow the work ball to retreat, reduce the energy consumption of the engine, and accelerate the machine of the hollow shaft. Large and bulky large shell such as 500 pounds of weight is accelerated to 1000 RPM, the large shell is converted into a greater inertial force. The machine can't stop at once. And the starting point. Only a tenth of the force machine is turned.



It is different from the fuel engine, which is only a group of conversion systems. If the gasoline is converted into heat energy, it can not be copied and dissipated, and the energy is conserved. It is also different from the motor, after the electric only the rotor work, the shell stator does not rotate the mechanical work. Although the working principle of the eccentric vortex engine is like an electric motor, its large shaft disc and the eccentric system components on the disc cooperate with the resultant force of the new synthesis system, turning for the machine and copying more forces. That is to say, the stator becomes the rotor rotation, and the power is more powerful.

And set in the central axis of various parts, are



relative positioning does not rotate. The rotor becomes a stator. But the advantages of both are the work in the rotation, in the same direction.

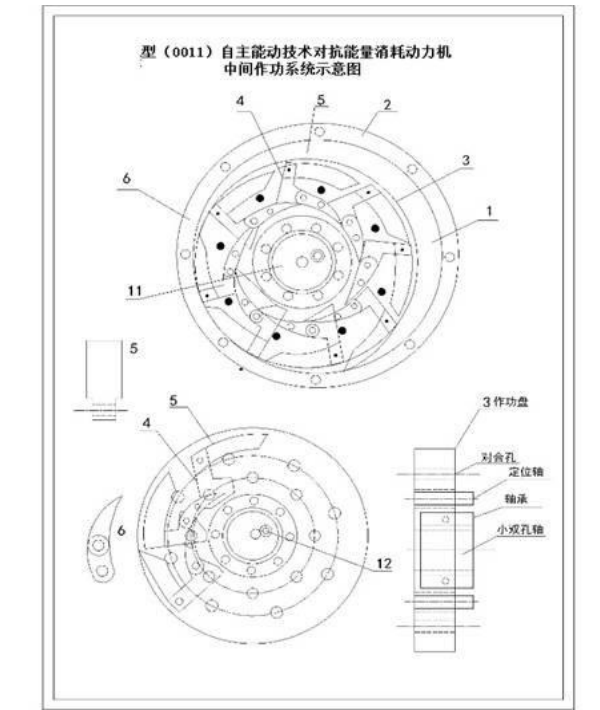
Need to turn on and off the machine or add or reduce the force, only dial the clutch or hand brake, foot brake rod, can make the machine fast and slow speed or start up or down.

The following work pictures are for reference only, not really mechanical eccentric engine physical objects. This is for your reference only,



revised and improved my paper

5/22/2024



The above content is preliminary to describe the elliptic map to explain the physical problems of all things, and ask experts to jointly create China's theory of natural science to explain all things and strive hard.  
reference documentation:

### References

[1] American Asimov, translated by Wang Tao, Qian Dong, etc. The Universe, Earth and atmosphere, Basic Knowledge of Natural Science, Science Press, 1976.

[2]. Chen Juquan, Chen Jianglan, "Philosophy Self-study Examination Guidance and Training", Huazhong University of Science and Technology Press.

[3] Xiong Chengkun and Liu Liangjun on the Physics of Taiji Zi. Chongqing Press

[4] The circular logarithmic formula description of Wang Yiping, China, quoted from the Point Mec Field and Relativism Construction (proceedings of the 8th International Conference on Computational Methods in 2017)

In 2012, the novel and article of "Taiji Hua World" were published in the academic field.  
<http://www.sciencepub.net/academia/aa2012suppl>

And 25 years after the invention of the eccentric vortex engine, I read the book of Qimen Escape jia written by Hong Kong people in 2007, which added to my writing wisdom and strength.

express gratitude:

Chinese researcher Wang Yiping and engineer