

Atomic Cosmogony - Oval Diagram Illustration Sub-atom, Atom

Sun Chunwu

Room 805, Building 20, Shuxiu Garden, Xihu Town, Yangzhou City, Jiangsu Province
 Specialty: Inventing new products and writing popular science books, for instance, *Taiji Hua Tianxia*; Title:
 Researcher

Contact information: QQ458669609; Telephone: 17306271565; Email: yzscw0514@163.com

Abstract: According to French scientist Laplace, we must regard the current state of the universe as the result of its previous state and the causation of later development; if there is a wisdom to comprehend the location of each entity, and even to analyze these things, it can outlines the movement of cosmic inventory with a single formula, from maximal celestial body to minimal atom, so that the future can be clearly presented just as the past.

[Sun Chunwu. **Atomic Cosmogony - Oval Diagram Illustration Sub-atom, Atom.** *Rep Opinion* 2018;10(10):23-30]. ISSN 1553-9873 (print); ISSN 2375-7205 (online). <http://www.sciencepub.net/report>. 4. doi:[10.7537/marsroj101018.04](https://doi.org/10.7537/marsroj101018.04).

Keywords: Oval Diagram and Formulas; Diffuse Gases, Centripetal Force, Micromolecule, Sub-atom, Atom, Red Giant Star; Internal Movement Description of Red Giant Star and Atom

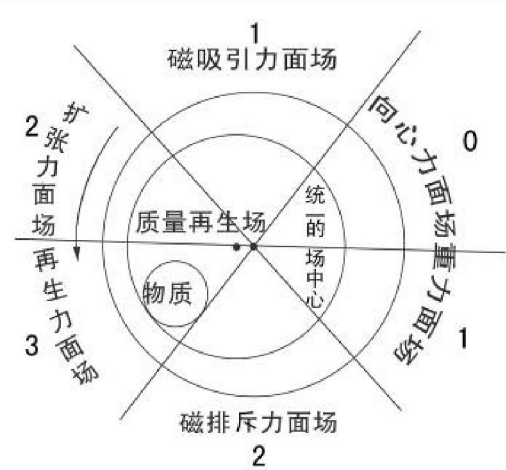
1. Foreword

There are many problems on natural science disturbing scientists. Einstein applied the data lacking of experimental basis to create new theory and put forward a question and solve it. He focused on finding Unified Field Theory of gravitational force, electromagnetic force, strong force and weak force, he did not yet completed in spite of struggling for latter part of his life.

Therefore, the author invents the eccentric rotary

engine, namely the invention of perpetual motion machine without any external energy doing work and creation of oval diagram and formula, to deduce harmony and unity rule of all things changing, assume and resolve the questions.

In the first place, I would like to introduce the origin of the following two diagrams, then you will know their magic wisdom, which is convenient to suppose questions and solve them. [See diagram below]



In fact, this great circle diagram illustrates sequential movement of time in evolutionary development and in the process of movement. Relatively speaking, the size of great circle is basically proportional to energy and force duplicated. These six force fields in great circle are relative number, the

quantity of field force surfaces, their mass, as well as the energy and force duplicated by them are decided by the quality of the movement, which can be also expressed as chaotic motion of space.

Just as six spaces in human's lifetime, including baby, early youth, youth, middle age, meridian of life,

and old age. Each space has different mass, for instance, when you work, have a rest or sickness, the energy and force duplicated are different.

The energy duplicated in middle-age and mature period is most, during which you can earn much money, get married, and have several children. However, the mass according to the movement of oval diagram in their life will also duplicate non-conservation of energy.

The diffuse gases drifted in the air at chaotic period of the universe, the things in the air and out of

nothing are turbulence generated in the upper of oval diagram, denoting the beginning of one mass motion time, besides, it may be the objects moved under this conditions, which have no force variation, and can be named as magnetic attraction field according to the physics. It conducts uniform motion and the force duplicated by it is 1.

In the upper part of Figure 1, the thrust generated by the mass is 2 through movement from the top down, which can be called as expansionary force field.

磁吸引力面场	Magnetic Attraction Field
扩张力面场	Expansionary Force Field
再生力面场	Regenerative Capacity Field
磁排斥力面场	Magnetic Repulsion Field
向心力面场	Centripetal Force Field
重力面场	Gravity Field
椭圆运动走势图	Trend Chart of the Elliptic Motion
匀速运动	Uniform Motion
离心力推力加速运动	Accelerated Motion of the Centrifugal Force Thrust
不规则运动	Irregular movement
向心力拉力降速运动	Speed-reduction Motion of the Tensile Force of the Centripetal Force

In the lower part of Figure 1, because the energy or force duplicated through gas movement on one side is large, the energy or force duplicated on the other side is small. Meanwhile, these two force fields has thrust of centrifugal force, making gas mass to be duplicated more energy (that is inertia force) in the acceleration. If the earth is driven to make large ovality, which is called as regenerative capacity field or strong force field, so the thrust duplicated by it is 3.

In conclusion, this side of the diagram is the thrust of centrifugal force.

The lower part of the figure is magnetic repulsion field, showing that when one mass motion is in this field or at this time, the centripetal force shall prevail at slowest moving spin speed of system, and the centrifugal force shall prevail at the fastest moving spin speed of system, the force duplicated by it is irregular and reduced to 2. During actual operation, its positioning shall be accelerated with the speed, the force above 2 is ascending.

Hence, the gas of vortex passes over magnetic repulsion field by utilizing inertia force, and make upward ballistic motion towards gravity field.

On account of lacking of energy or force supplement of objects, the energy duplicated is 1, which is named as gravity field.

However, the mass will have no working ability on the upper part of this field, which is consumed by friction force and gravitation, etc. the gas will conduct center shrinkage bending and centripetal revolving in

inertial motion, the force duplicated is 0.

On this side of diagram, it will reduce the speed and conduct elliptic motion.

In physics, this elliptic motion is called as concentric exercise, therefore, centripetal force will be obtained.

Just as the dropping of table tennis toward hard ground surface from the height of one meter, the height after bounce losing every time still exceeds radius. As a result, airflow passes over center height in the form of contractible circulation for rotation, and forms large circular-ring outer ring as cosmic radiation. And this outer ring is expressed as centripetal force.

Thermal current gathered subsequently on the top surface of outer ring also conducts circling movement which has little dissipative force, and divides into two parts on the top surface of circle to move as figure-eight curve and taper vortex trajectory, among which, except their mass, this movement utilizes geographical conditions of tape, so as to obtain inertia force and centrifugal force for centripetal accelerated circling movement. Since inertia force and centrifugal force are system force, which don't need the force supplied by themselves.

Therefore, airflow conduct auger-type small circling movement to two ends over and over again, forming an integrated global shell. For instance, the origin of atoms, sunspot, cell and oval diagram can be assumed, to resolve the development problems of microscopic motion of all nature.

After gathering of any substance, the cavities will exist between substances on and inside the global shell. And the cavities have three effects, first of all, each small cavity on global shell result in disunity of internal and external temperature, as well as pressure; secondly, external thermal current will flow to low pressure of cavity center continuously, just as a snowball, to form cyclones. In these small circle cavities of cyclones, two fields are formed in fact, one is the center formed by centripetal force vortex which is called unified field. (Just as a central government) when the movement on the field has energy problem, it will unify each force and inherit the effect of wisdom energy. Another is parabolic vortex motion through centrifugal force of system, the place in which the mass is transformed to energy is called as regeneration field center of mass. This regeneration field center of mass is like copiers, weapons and other tools, which will duplicate more energy, since the system cannot convert to energy as gasoline combustion, the mass does not exist, and the energy is conserved.

I had published academic manuscript *Establishment of the Unified Field Theory* on American Marsland Press in 2009.

However, in today over a decade later, cavity center of black hole is found with scientific instrument, and there exists inter-winding movement. One is small cyclones of centripetal force, and another is larger cyclones of centrifugal force, which proves the correctness of oval diagram. Because Newton considered that there existed gravitational force even through these two points don't move. Ritchie thought that there existed gravitational force of one point in circling motion. Actually, it is vortex that generates attractive force or tensile force.

The concentric exercise and eccentric exercise here are mutually circling movement of two points or multipoint, so that more energy can be duplicated, making the thing evolved or developed. The convergence and diffusion would be misleading when translated from English to Chinese, for instance, the questions are assumed and resolved as shrinkage and expansion of balloons. Since the airstream conducts centripetal movement upward in the system, and the centrifugal movement from up to down forward accelerates, actually, it is the attractive force or tensile force generated by gravitational force through vortex.

In consequence, the gas or micro-molecule enters into small cavity with centripetal force vortex, which is copied into small cyclones or elliptical groups one by one as snowball, forming trinity structure of shell, small inner circle cavity, and small cyclones in cavity, which is called as atom.

The small cyclones in the center of atom cavity are pushed out by centrifugal force of system, which

conducts the pushing, friction, and heating, so that the hydrone will be converted from the extremity of the cold and hot junction. As a consequence, the mass of gas entered into the cavity center changes, which becomes larger and larger and copied into more ball structure as rain nuclei or all kinds of quarks. At this time the force due to accelerated pushing, friction, and heating of system, the hydrone outside the rain nuclei will flow into cavity center of rain nuclei, and the rain nuclei rotates to generate water.

Because the thermal current outside the global shell enters into cavity continuously, the high temperature generated through accelerated pushing, friction, and heating of system, convert the water into new gas. And the new gas strengthens the system force through centripetal rounding, and drive the shell in small inner circle to rotate rapidly, in the process of generating high temperature and high pressure through pushing, friction, and heating, the new gas is converted to small molecules in solid state, which is copied to small pellets and evolve into the shell of atom.

Diffuse gases by that time have evolved from space fields to physical field of atom, which own strengthened motility, transfer ability and replication capacity. Due to various geographic position, atomic shell has different forms affected by different acting force. The upper and lower part of atomic shell presents a number of small molecules, which seems to be no displacement just as Antarctica Plate and Arctic Plate still on the surface of the earth on account of lacking centrifugal force and centripetal force. Therefore, the fulcrum of lever is formed. When the small molecules on the two sides of atomic spherical shell move upward, and conduct deceleration movement through centripetal contraction and bending, and eventually the internal cavity of the atom near the center shrinks step by step.

On the other side, small molecule expands and grows under the action of centrifugal force, and conducts downward accelerated movement from the top down, the internal cavity of atom which is far from the center become larger, and the density of small molecule is low, forming acentric cavity or lever arm effect. And the small molecule in the center of atomic cavity, in the condition and environment of acentric cavity, this mass is copied into more energy or force, driving the rotation of objects. Thirdly, in the long evolutionary process, the centrifugal force in the center of atomic ball is larger than other place, the leading end of small molecule is pulled by centripetal force and pushed by centrifugal force of system, and conducts unstable periodic displacement movement toward two sides of ball, making the atom conducting un-constant spin motion.

Thus the formula of question-designing and question-solving of atom will implement mixed

calculation from the above addition. For instance, the energy which makes atom evolve into the ball with larger quality duplicated from various fields of ellipsoid can be calculated, among which, the gravity, electromagnetic force, as well as strong and weak acting force exhaled are unified as four types of acting force by inertia force and centripetal force.

The questions can be assumed and resolved according to formula of $m \text{ force} \propto \frac{1}{r^2}$ in The right place. “ \neq ” informs to the person of question-designing and question-solving, the quality exists in different speed of movement of the system, duplicating limit problem of energy or force. Therefore, the birth, death, illness and old age of things and time of non-uniform cycle can be known by us. After multiplied by the quality, acting force, accelerated speed, time and geographical conditions, as the figures 1, 2, 3, 2, 1, 0 on six types of fields of oval diagram, it can be concluded that the atom can be duplicated more accelerated inertia force when atom rotates around its axis once, which makes spin speed up. Hence, the sub-atom conducting upward movement will be closer to atomic shell, when you calculate in the next time, magnetic repulsion field 2 will add 025, gravity field 1 will add 05, and centripetal force field 0 will add 075. Magnetic Attraction Field will 1 add 05, expansionary force field will 2 add 025. Regenerative capacity field remains unchanged, so that the atom will evolve and expand into larger ball. It is similar to 64 hexagrams in question-designing and question-solving of eight trigrams, and Oval Diagram even uses 162 hexagrams or application of Ultimate Theory [plus] written by Mccu Tcheonn to suppose questions and solve them. The unified expansion rate (XA) of all atoms and objects is 0.0000077 second, the unit is quadratic second, [The expansion of real expansion is inaccurate, which should be expended as parabola, there doesn't exist balanced expansion as inflated balloon].

Assumed that the diameter of atomic ball shell is 10 nanometer, the radius of atomic center should be 5 nanometer. When the external diffuse gases or small molecule encircle rapidly from shell to small cavity under the action of centripetal force, it is estimated that the volume shall be not exceed one thousandth of one nanometer, the perimeter from small cavity of atomic wall to center can be unfolded to calculated by one hundredth, the length can be divided into ten segments at least, and each segment can be surrounded to form a smaller sub-atom.

Due to the centrifugal force of spin system of atom, and the thrust or repulsive force of center object, the external thermal current on one side of the atom cannot enter into atomic cavity. And thus small sub-atom cannot be generated on this side of atom.

However, the airflow and small molecule on the

other side of atom have covered to attractive force (i.e. tensile force and gravitation) when entering into the center under the action of centripetal force, so that the subsequent airflow is inhaled from the small cavities between small molecules on this side of atom shell.

There are 30 shells at least gathered by small molecules on hemisphere side of atomic ball shell. Hence, the airflow coming from small cavities is surrounded to duplicate three hundred sub-atom balls approximately. This process is similar to the gas entering into the heart of human body, which can be copied into hundreds of leucocytes liking a snow ball just a moment.

When these sub-atoms access the center surrounded by centripetal force, the larger ball-shaped groups will be duplicated by rotated system, which is population structure of atomic nucleus.

It can be estimated that the diameter of atomic nucleus cannot exceed 1 nanometer (forming a trinity structure of shell, small inner circle cavity, and small cyclones in cavity).

Since the external thermal current flows toward low temperature area of atomic cavity center continuously, the unified field theory is formed in cavity with relative larger mass. At first, the sub-atom in transition layer has attractive force of vortex when rotation, the thermal current will be attracted into the cavities of sub-atom. When the thermal current conducts centripetal vortex spin, it may generate high temperature and high pressure through pushing, friction, and heating with airflow formed by centrifugal force of system, and finally the new gas may convert to small molecules in solid state. Meanwhile, more small sub-atoms or particles will be also duplicated in sub-atom shell. The accelerated impulsive force of sub-atom is strengthened in the atom from high to low. When the impulsive force acts on the atomic nucleus, and the atomic nucleus has become small pellets with dense structure due to system spin, which may be the fulcrum of sub-atom for tangential movement as an edge ball, and then the sub-atom will impact opposite inner wall of atom. On account of large mass of atom, sub-atom can be rebounded in case of vibration, while it cannot reach to the original height.

Because the sub-atom is constituted by a number of small molecules through permutation. The downward impulsive force pushes the numerous small molecules to the leading end of global shell. So the quality and density of the front end will increase, and accordingly the impact force on inner wall of atom will increase, which may be three times of the mass of sub-atom, besides, there may be hundreds of sub-atoms on this side of atom, which rush down incessantly, exerting thrust to atom spin.

Due to impingement, the small molecules in the

cavities of sub-atom will be rebounded, which will move forward without turn-back. As a consequence, this reaction consumes the acting force, while the rebounding force declines continually, at last it will fall on the inner wall of atom through parabolic motion. The sub-atoms downward roll rapidly along the radian of inner wall of atom. Due to movement along the radian, it will be subject to centrifugal force and the action of eccentricity of system, pushing a number of small molecules in cavity of sub-atom to the front end of shell, that is the mass will be duplicated into energy on the arm of force of lever, therefore, its moving speed is faster than tangential movement, and the force having work is completed from high to low.

Tangent line is rectilinear motion, obtaining instantaneous acting force.

Certainly, some sub-atoms with small mass are rebounded into atomic nucleus. At this time, the atom and atomic nucleus have been subjected to three forces. Rapidly rushing down every time, the atom and atomic nucleus will rebound, resulting in three kinds of energy. First of all, the sub-atom rebounded by atom falls on the atomic nucleus, making a number of sub-atoms or small molecules in atomic nucleus conduct pushing, friction, and heating mutually. Secondly, through pushing, friction, and heating among small molecules, and sub-atoms in cavities when rebounding, the electricity will be generated. Numerous sub-atoms are converted into the so-called electronic ball. Thirdly, the hot gas or small molecules generated in atom through pushing, friction, and heating pass over the small cavities on electronic shell, so as to surround the center rapidly, gather and duplicate a number of small molecules. These small molecules fall on atomic arc shell as parabolic motion under the action of centrifugal force, which enhance the degree of pushing, friction, and heating and generate high temperature and high pressure, these sub-atoms quickly rush down to low temperature and low pressure. In fact, there doesn't exist electron. However, we say that the electricity is generated in line with Physics.

In the process of electron rushing to another side of atomic center from the top down, small molecules in the cavities of electron are pushed forward by centrifugal force; through the pushing, friction, and heating among small molecules, the electron is converted to the so-called proton with much energy. [In fact, under the action of the centripetal force of one side of atom, small molecules rush to low temperature, and the small molecules in the center are pushed by centrifugal force of system, to convert to proton with much energy after pushing, friction, and heating mutually].

Then, some small molecules will generate magnetism in cavities of proton through pushing,

friction, and heating; or convert to all kinds of chemical bonds in the different high temperature and high pressure. For example, some small molecules in proton are bonded into a number of small molecules by high temperature or adsorb by the magnetism through heating and friction, and further combine into electronic cluster containing a number of small molecules. With a large mass of electronic clusters, the acceleration force is more powerful. If the small molecules inside the electrons cluster conduct centripetal accelerated vortex motion on one side, they will meet the small molecules pushed by centrifugal force of system, and emit heating and light through pushing and friction mutually. Although the thermal current and small molecules outside the atom is instantaneously disappearing as the cyclonic wind formed on the ground, they may swirl to the center in every small cavity of the atomic wall. Hence, the atomic center constantly replicates electrons cluster, which is momentary light and heat converted through pushing and friction due to centrifugal force. A great number of small molecules entering into electrons cluster conduct upward movement just as the upward movement of celestial body moving into the galaxy, and the density wave will be formed at reduction of speed, the light converted by pushing and friction will be weakened, and shone to the dark place in the center. There is no photosynthesis as heliograph signaling, so the light will darken and has red-shift. The light on the other side of the galaxy converted by accelerated centrifugal force emits outward. If it gains photosynthesis as heliograph signaling, the light will be bright white.

However, in the conversion process, they don't consume the energy inside the atom, but make the electron get the high temperature and high voltage and flow quickly to the low temperature and low pressure area. However, it is given a beautiful name that is work of electric charge and electric current. The electric charge and electric current with work enhance spin ability of atom system, pushing the small sub-atom, ellipsoid and irregular objects in atomic nucleus out as parabola and under the action of centrifugal force.

When moving upward, three situations will occur, first of all, the sub-atom ball with large mass implements circle expansion movement which will consume more force rather than elliptic motion which will consume less force when it rush toward the height, the sub-atom will be closer to the atomic shell, and the distance to center is in direct proportion to the size of ball.

And some sub-atom ball with small mass will have less force when it rushes to the height, and is closer to the center after centripetal contraction and bending, namely the ellipsoids will form a circle through

arrangement in order.

Moreover, the gas with certain mass and irregular small molecules cannot be pushed upward for movement, but accumulated and stayed in the lower part of the ball shell for upward movement, forming intermediate transition layer of the atom which has uneven thickness as the egg white of eggs.

The gas and small molecules gathered after movement through centrifugal force conduct centripetal circling movement along the surface of accumulation with less force, forming larger and larger eccentricity in circle. The gas, small molecules, and small cyclone ball set on the side of decentration under the action of centrifugal force, which is the downward pressure of weight on one side of decentration, in fact, the atom in inner shell does work through spinning.

Because the inner shell on this side is three to five times away from the center at least, the downward pressure exerts on this side of shell, actually, the force with the weight which is two times of shell can make the shell spin downward. If the bearing which has one ton is installed, the force with 100 kilograms can rotate it. If the shell on this side is designed as pendulum, the shell with one ton can be moved with three kilograms.

At this time, the atom not only has gravity, but also thrust coming from high pressure area to low pressure area, in addition, it has other auxiliary force to rotate.

The above acting force has stronger effect than that of wind on seawater, because the acting force of waves which converted by wind force on seawater is soft landing. The water is pushed by the wind force toward the top, and then the water will rush downward, forming impulsive force and converting stronger force. However, when the force works, the water surface lacks counterforce support, pushing the water surface to the top of waves which is higher, actually it cannot reach the height of predetermined force, and the strength of impact force on another object decreases, only giving one-time acting force.

In the upper part of inner ring of atom, there exists dozens of and even hundreds of sub-atoms and small molecules, which rush to atomic nucleus field from the top down for hard landing. The atom has more layer and the volume of sub-atom ball is larger, the centrifugal force of system is larger. The impact force pushes from the center and growing outwards, which enhances the thrust time and time again, converting different acting forces. For instance, the acting force of electron is strengthened through pushing, friction and heating, and converted to electromagnetic force, nuclear force, strong force, etc. The acting force of pushing, friction and heating is weak, the force field and gravitational field is also weak.

Therefore, on the one side, the electron is

duplicated inside the atom regularly under the action of centripetal force, on the other side, the proton is converted through pushing, friction and heating under the action of centrifugal force, meanwhile, the continuous motion is conducted on magnetic field of both poles, which snaps rotated magnetic induction line of central objects, the so-called electric current which is converted from mechanical energy accelerate the ability of movement.

At this time, sub-atoms and small molecules have moved on atomic entity field, and then they convert to accelerated movement from electromagnetic field of high temperature and high pressure to that of low temperature and low pressure, making its transformation and replication ability advance rapidly. In consequence, various knowledge shall be applied flexibly for question-designing and question-solving based on changes in the development of events. What is more, examples have been found can be also utilized, making electric current generated by sub-atom flow with low energy consumption or no energy consumption, so that new products can be invented or you can save energy consumption. For instance, eccentric engine or superconducting cryogenic equipment can be used, besides, smoother surface of line can be designed, with the effect of vehicle transmission, so that the regeneration or shrink of mass can occur when it impacts on the receiver of terminal point. Hence, the effect of work will be different.

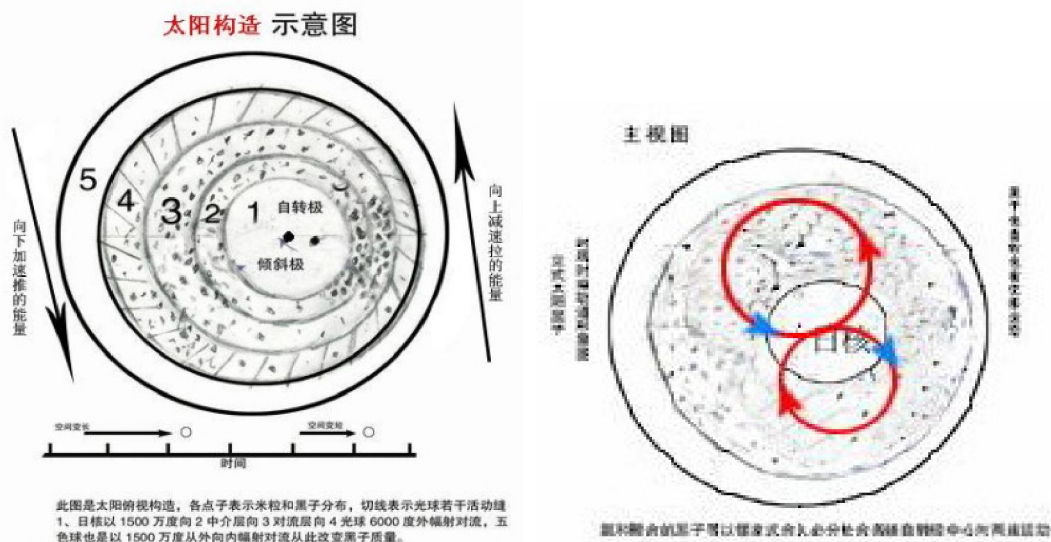
Because the atom has the quality which is the same with six force field around oval diagram, the upward cyclone group or small molecules can be duplicated to a new element by centripetal force. When the central cyclone group or small molecules conduct surrounding movement of parabola pushed by centrifugal force of the system, a new element of Hydrogen with higher quality can be converted. Besides, a new element on either side of the element is also converted, these pairs of new elements is multiplied butterfly effect, namely 4, 8, 16, 32, 64 and so on. Hence, the sub-atom that on the upward field force of atom obtains more inertia force by steps, and the face of upward is expanded gradually to the round sphere with large quantity. When computing, magnetic repulsion field 2 will add 025, gravity field 1 will add 05, and centripetal force field 0 will add 075, magnetic attraction field will 1 add 05, expansionary force field will 2 add 025, and regenerative capacity field remains unchanged with each turn. So the atoms will evolve and expand to the ball with larger mass again and again. Of course, this is the theoretical number, in fact, expansion rate is determined by the force and time.

Then, gravitational force, electromagnetic force, strong force and weak force converted by atom field are unified by inertia force generated by accelerated spinning with more energy, which don't work.

Meanwhile, unified movement environment inside the atoms has been damaged, for instance, some gases and high temperature are pushed to the inner shell of atoms by accelerated centrifugal force, among which, a large number of gases and high temperature leaves from cavities of the shell during movement, greatly decreasing the function of system. The frictional force, gravitational force, gravity and other forces make the speed of spinning decrease.

The mobile shell of atom has no functional supplement, and when the autorotation rate of inertial motion which cannot reduce energy consumption is lowest, the time of doing work process of force and motion structure for readjustment can accordingly increase. The sub-atom which conducts upward movement reduce its speed during non-uniform periodic motion through concentric contraction, so that how much energy can be duplicated by element at different period is in question. It is just like that the person who earns much money will use these money to live when losing his/her job, and then he/she will find a job and earn money again. So during this

Figure 2: Physical Image of Primary Structure of Sun



The above oval diagram illustrates the dark objects in universe is diffuse gases, and the dark energy is centripetal force and centrifugal force. All things in the nature present in these two simple forms, namely pushing and friction, so that the old look of gas movement in the universe can be changed. In addition, it provides exemplary wise methods and effects for genetic replication of creating various new things and new mass conversion.

The above content is illustrated as oval diagram, because I only have primary school education, and nobody helps me to modify my paper or guide me,

process, the atom rotates rapidly by overcoming energy conservation with centripetal force, which reinforces the centrifugal force of atomic system, and makes atomic nucleus in the center of atom rotate at a growing rate.

On account of the unified force coming from a large number of sub-atoms in atomic nucleus, so it is greater than downward impulsion of small molecules and small subatomic particles. The force in atom is converted to electromagnetic force and then nuclear force through electron. Namely a great number of sub-atoms and other particles lays a so-called highway tunnel of magnetic field and converts more electric charge by virtue of accelerated centripetal force and high temperature and high pressure after pushing, friction and heating. Clusters of objects and a great number of sub-atoms in atoms and cavities occur gasification through a succession of nuclear fusion reaction, resulting in collapse and fusion.

Therefore, the universe has atoms from nothing, and evolves into dark planet with large mass and liquid ball of red giant star.

there must exist imperfect or unscientific examples, therefore, I sincerely hope that experts can put forward more modification suggestions, to make mutual efforts for improving physics.

Mainly engaged in natural science research;
 Compile.

Name: Sun Chunwu
 Address: Room 805, Building 20, Shuxiu Garden, Xihu Town, Yangzhou City, Jiangsu Province
 Contact information: QQ458669609 Tel 17306271565 Compile

Email: yzscw0514@163.com

Industry: Engineering/manufacture

Field of interest: Natural science

Specialty: Inventing new products and writing popular science books, for instance, *Taiji Hua Tianxia*

Title: Researcher

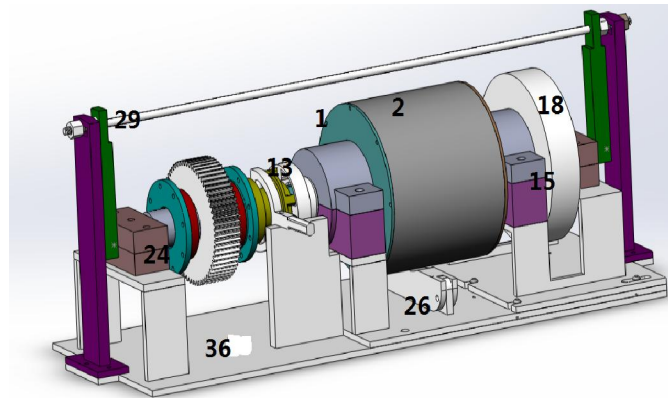
References:

1. Yang Zhenning, *Fundamental Particles Discovery History*, Shanghai: Shanghai Scientific and Technical Publishers, 1963.
2. Wang Dekui, *Preliminary Study on Three-Spin Theory*.
3. Wang Taifei, Unified Theory of Fundamental Particles, Journal of Qinghai University (JCR Science Edition), 1998.
4. Wang Fan, He Yin, Quark Model and Atomic Nucleus, *Progress in Physics*, 1982 (2): 178~201.
5. Author: Sun Chunwu Translator: Yang Lin 《Nature and Science》 Establishment of the Unified Field Theory. No. 11 Journal in 2009, Sun Chunwu who has committed himself to inventing perpetual motion machine for a long time, and publishes academic manuscript: *Nature and*

Science (translated by Yang Yang, a graduate student of English language majors in Nanjing University)

6. *Science & Technology Information*, Page 5-6, No. 18 Journal, 2007, Comprehensive Discussion on Unified Field Theory.
7. *Request to Stop Treating Leukemia, Cancer and AIDS (AIDS) by Chemoradiotherapy* (English version).
8. Library of Congress Cataloging-in-Publication Data (Sun Chunwu).
9. *Taiji Hua Tianxia*, 2015, Marsland Publisher, New York, America.
10. Paper on *Decoding Eight Diagrams*, Sun Chunwu, American Marsland Press, 2009.
11. *Unified Inflation [plus]*, Mccu Tcheonn, Chongqing Publishing House of Chongqing Publishing Group, Guoke Culture Communication Co., Ltd.

(ZL201720832656.9) Application for Patent of invention of Sun Chunwu coming from Yangzhou City, Suzhou Province, China Sketch Map of Eccentric Rotational Engine.



10/25/2018